

FRAMELESS FRAMELESS FRAMELESS

CABINETS
SPECIFICATION
GUIDE | 2025



CARB2 CERTIFICATION



Sandi Cabinet is proud to be a CARB2 Certified kitchen cabinet manufacturer. Our cabinets comply with the rules and regulations of composite wood products established by the California Code of Regulations, nationally implemented by the EPA.

TABLE OF CONTENTS

<u>Frameless Cabinet Door Styles - 1</u>	
<u>Frameless Cabinet Door Styles - 2</u>	
<u>Frameless Cabinet Door Styles - 3</u>	
<u>Frameless Cabinet Door Styles - 4</u>	
<u>Frameless Cabinet Door Styles - 5</u>	
<u>Frameless Cabinet Construction 1/2</u>	
<u>Frameless Cabinet Construction 2/2</u>	
<u>Frameless Wall Bridge Cabinet</u>	1
<u>Frameless Wall Cabinet</u>	5
<u>Frameless Wall Corner Cabinet</u>	7
<u>Frameless Base Cabinet</u>	9
<u>Frameless Base Corner Cabinet</u>	13
<u>Frameless Tall Cabinet</u>	15
<u>Frameless Vanity Cabinet</u>	18
<u>Frameless Cabinet Panels & Trims</u>	21
<u>Frameless Cabinet Roll Out</u>	24
<u>Warranty</u>	26

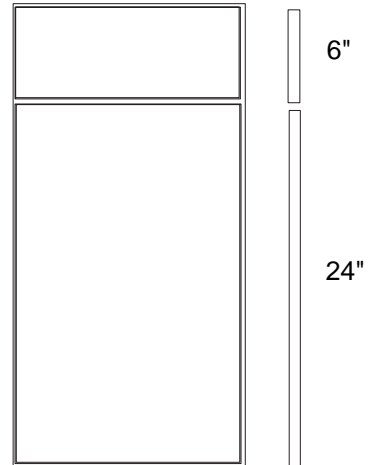
DOOR STYLES

Natural Oak



Order Code: **S1**

- Full overlay door style
 - MDF mitered
 - P.E.T. Veneered
 - Same Color Edge Band
- ID#: **H3157 ST12**

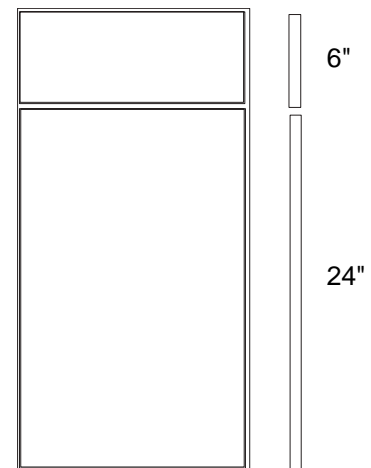


Grey Oak



Order Code: **S2**

- Full overlay door style
 - MDF mitered
 - P.E.T. Veneered
 - Same Color Edge Band
- ID#: **H1222 ST12**

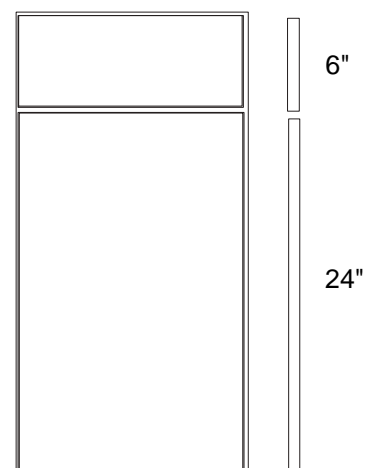


Brown Oak



Order Code: **S3**

- Full overlay door style
 - MDF mitered
 - P.E.T. Veneered
 - Same Color Edge Band
- ID#: **H1385 ST40**

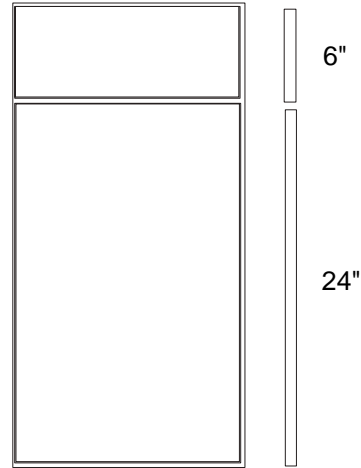


Light Oak



Order Code: **S4**

- Full overlay door style
 - MDF mitered
 - P.E.T. Veneered
 - Same Color Edge Band
- ID#: **H3165 ST12**

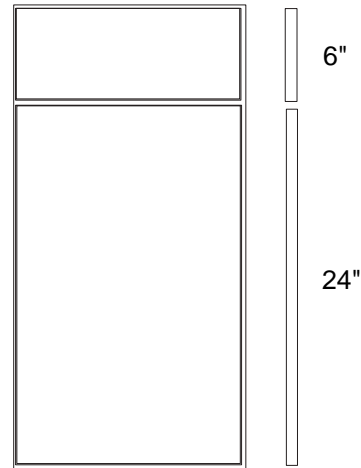


White Oak

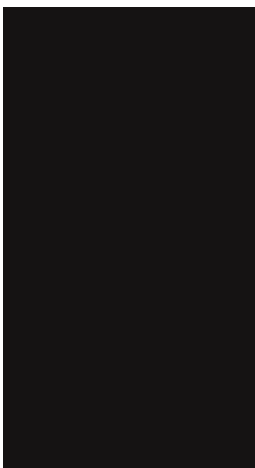


Order Code: **S5**

- Full overlay door style
 - MDF mitered
 - P.E.T. Veneered
 - Same Color Edge Band
- ID#: **H1384 ST40**

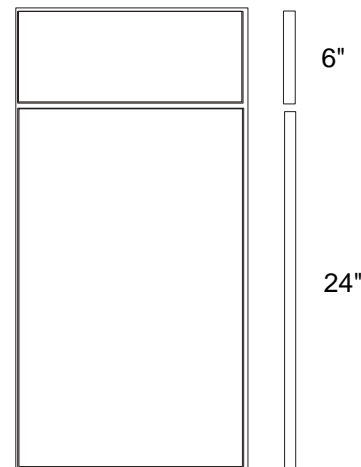


Black Oak



Order Code: **S6**

- Full overlay door style
 - MDF mitered
 - P.E.T. Veneered
 - Same Color Edge Band
- ID#: **U999 ST19**



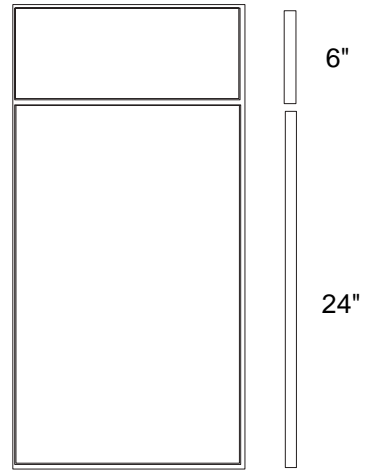
DOOR STYLES

Rustic Oak

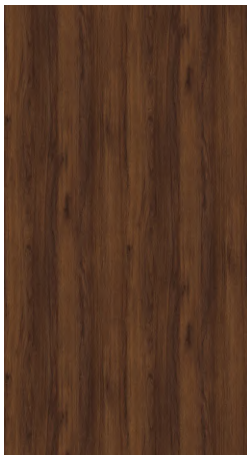


Order Code: **S7**

- Full overlay door style
 - MDF mitered
 - P.E.T. Veneered
 - Same Color Edge Band
- ID#: **G88**

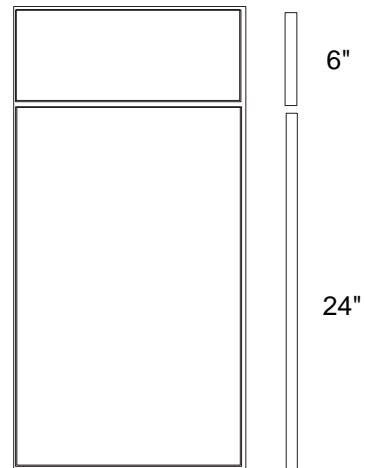


Brown Walnut



Order Code: **S8**

- Full overlay door style
 - MDF mitered
 - P.E.T. Veneered
 - Same Color Edge Band
- ID#: **H1307 ST19**

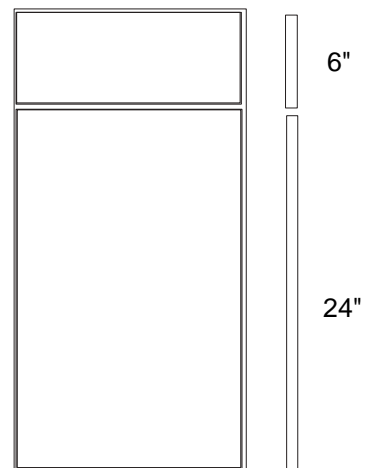


Chocolate Walnut



Order Code: **S9**

- Full overlay door style
 - MDF mitered
 - P.E.T. Veneered
 - Same Color Edge Band
- ID#: **H3794 ST12**

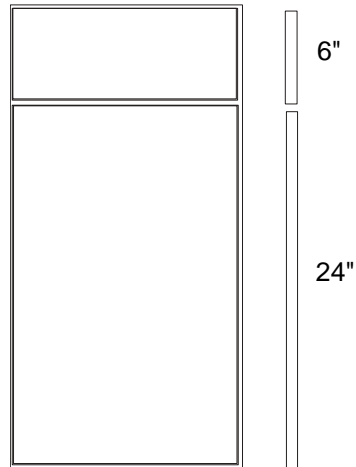


Carini Walnut



Order Code: **S10**

- Full overlay door style
 - MDF mitered
 - P.E.T. Veneered
 - Same Color Edge Band
- ID#: **H3710 ST12**

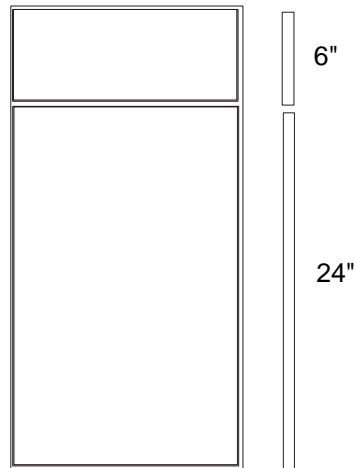


Grey Elm

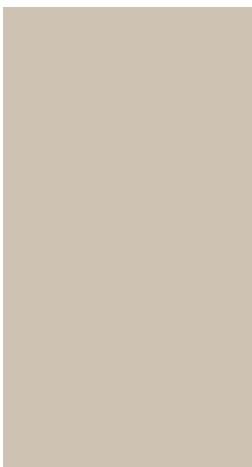


Order Code: **S11**

- Full overlay door style
 - MDF mitered
 - P.E.T. Veneered
 - Same Color Edge Band
- ID#: **H1288 ST19**

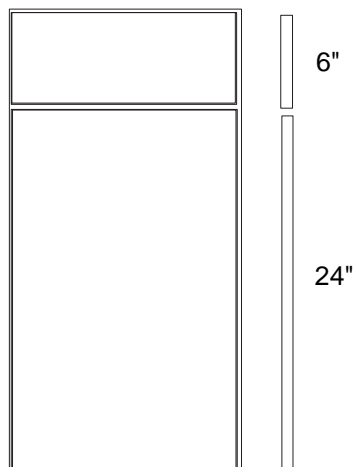


Breeze Beige



Order Code: **S12**

- Full overlay door style
 - MDF mitered
 - P.E.T. Veneered
 - Same Color Edge Band
- ID#: **AGT-BB**



DOOR STYLES

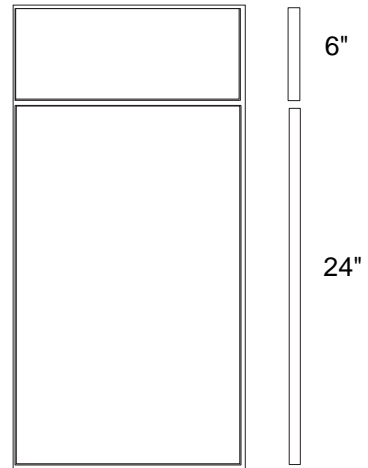
High Gloss White



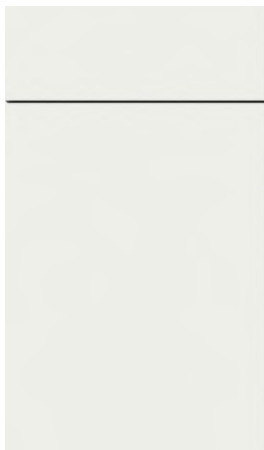
Order Code: **S13**

- Full overlay door style
- MDF mitered
- P.E.T. Veneered
- Same Color Edge Band

ID#: **GW**



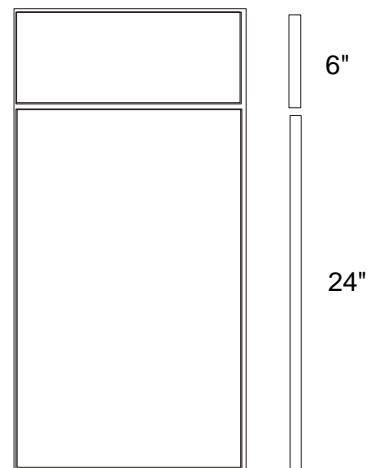
MATT WHITE



Order Code: **S14**

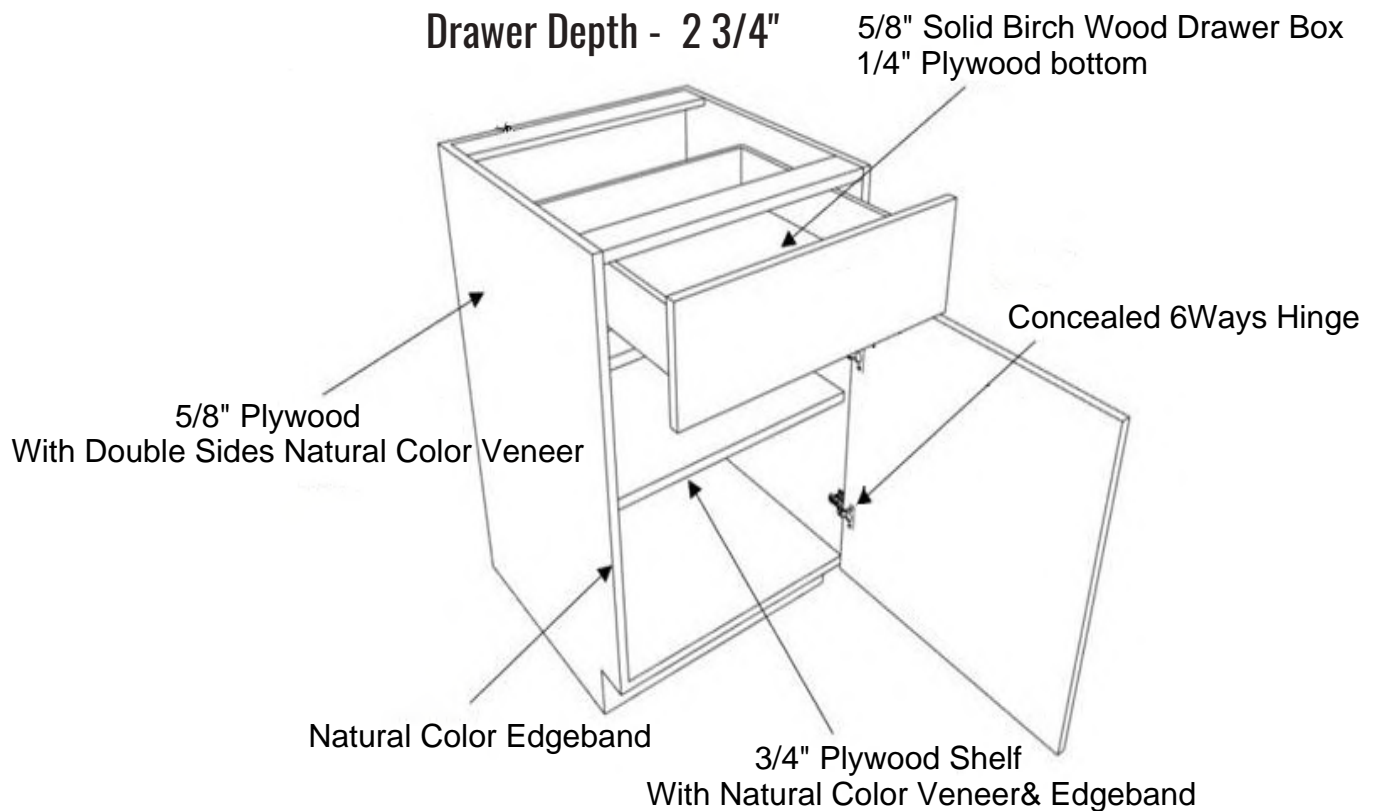
- Full overlay door style
- MDF mitered
- P.E.T. Veneered
- Same Color Edge Band

ID#: **AGT-MT**



CARCASS OPTION 1

NATURAL

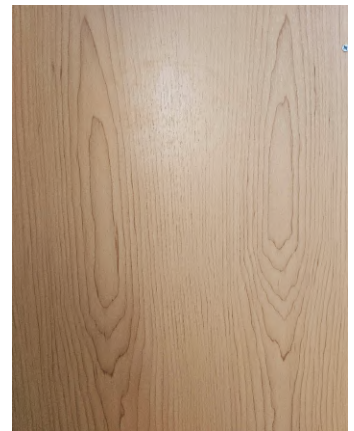


Base Cabinets:

Overlay Doors and Drawer Fronts with 1/16" Revealed Soft Closing Hinges and Drawer Guides
Whole Carcass Plywood Construction
Door & Drawer Face are made out of MDF With Veneer
24" Deep

Wall Cabinets:

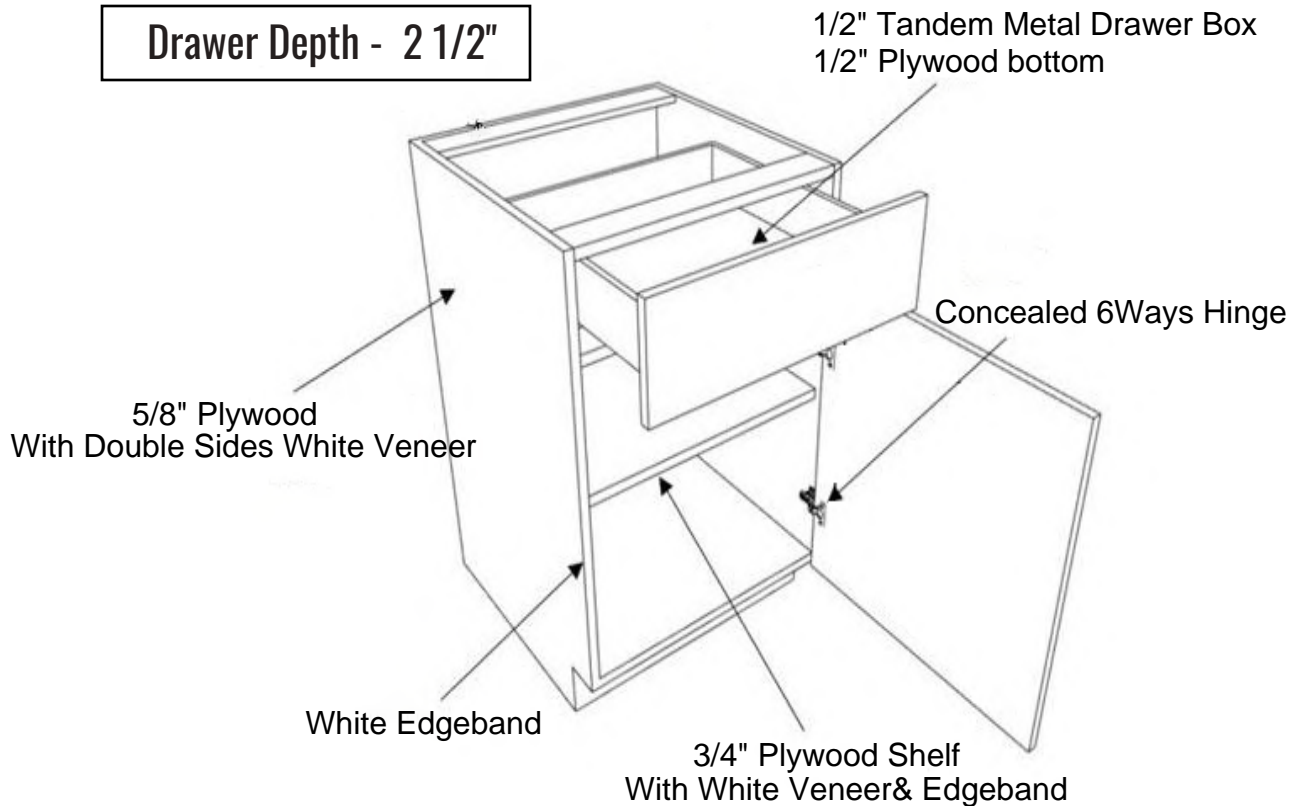
Overlay Doors with 1/16" Revealed Soft Closing Hinges
Whole Carcass Plywood Construction
Doors are made out of MDF With Veneer
12" Deep



WHITE

CARCASS OPTION 2

Drawer Depth - 2 1/2"

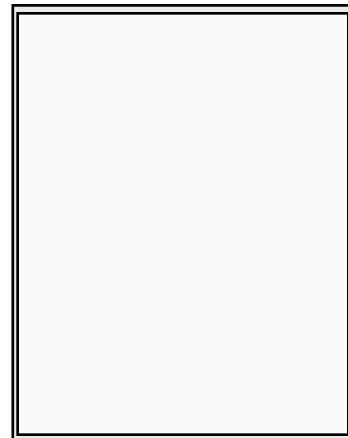


Base Cabinets:

Overlay Doors and Drawer Fronts with 1/16" Revealed
Soft Closing Hinges and Drawer Guides
Whole Carcass Plywood Construction
Door&Drawer Face are made out of MDF With Veneer
24" Deep

Wall Cabinets:

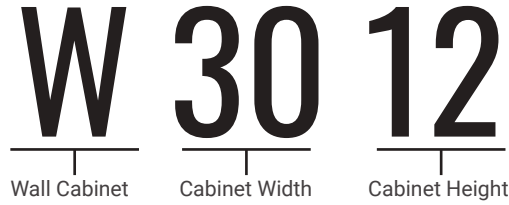
Overlay Doors with 1/16" Revealed
Soft Closing Hinges
Whole Carcass Plywood Construction
Doors are made out of MDF With Veneer
12" Deep



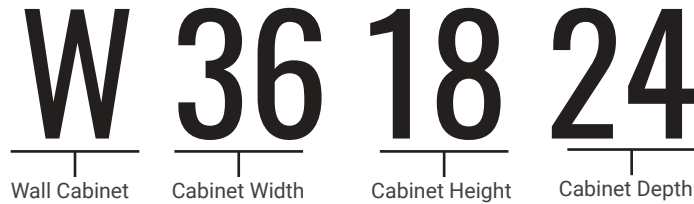
WALL CABINETS

CABINET IDENTIFICATION

The letter(s) represent the type of cabinet, the first set of numbers represents the width of the cabinet, and the second set of numbers represents the height of the cabinet.



Whenever a cabinet is shorter or deeper than the standard 12" for wall cabinets, it is represented by a third set of numbers.



ORDER CODING

All wall cabinet order coding begins with the door order code

Example: **N1 W1830**

SPECIAL NOTES

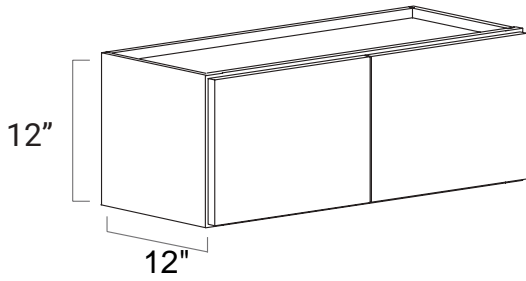
- Wall cabinetry is 12" deep less otherwise noted
- Single door wall cabinetry is hinged on the right side of the face frame but can be flipped as necessary

AVAILABILITY KEY

●	Indicates availability
○	Indicates no availability



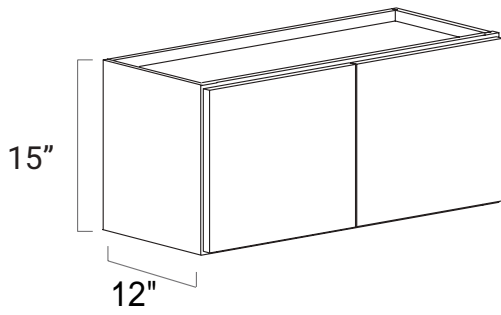
Look for the light bulb for helpful design tips!



Wall Bridge Double Door 12" High

Order Code: **W3012**
W3612

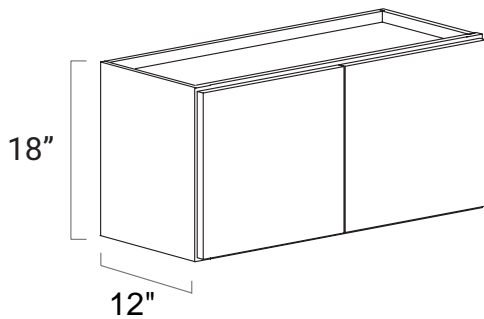
- No shelf



Wall Bridge Double Door 15" High

Order Code: **W3015**
W3615

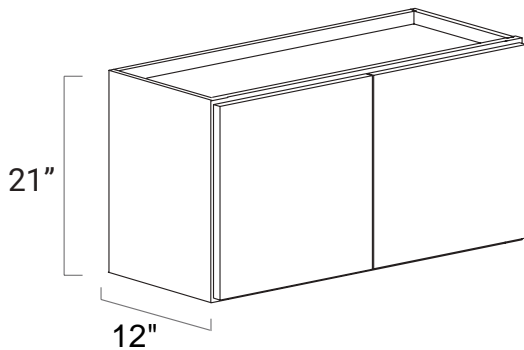
- No shelf



Wall Bridge Double Door 18" High

Order Code: **W3018**
W3618

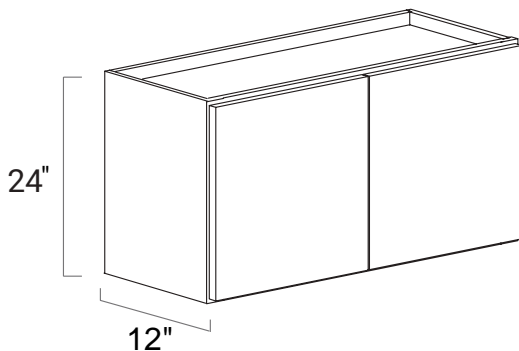
- No shelf



Wall Bridge Double Door 21" High

Order Code: **W3021**
W3621

- No shelf

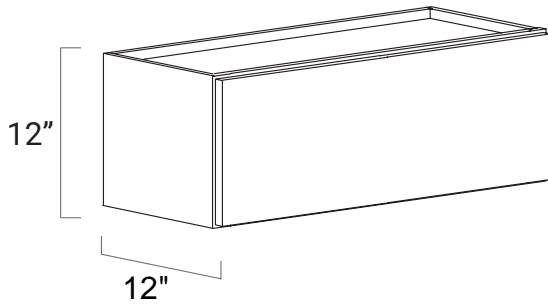


Wall Bridge Double Door 24" High

Order Code: **W3024**
W3624

- No shelf

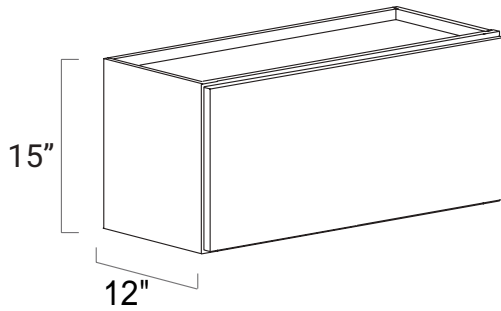
LIFT UP Wall Bridge One Door 12" High



Order Code: **W3012LU**
W3612LU

- No shelf

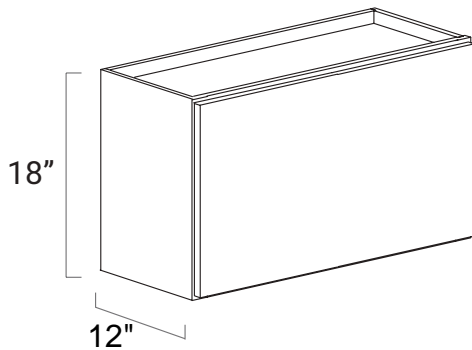
LIFT UP Wall Bridge One Door 15" High



Order Code: **W3015LU**
W3615LU

- No shelf

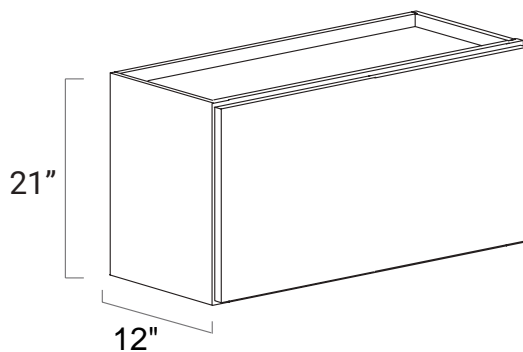
LIFT UP Wall Bridge One Door 18" High



Order Code: **W3018LU**
W3618LU

- No shelf

LIFT UP Wall Bridge One Door 21" High



Order Code: **W3021LU**
W3621LU

- No shelf

WALL CABINETS

30" Wall Bridge Cabinet Double Door 24" Deep

Order Code: **W301224**

W301524

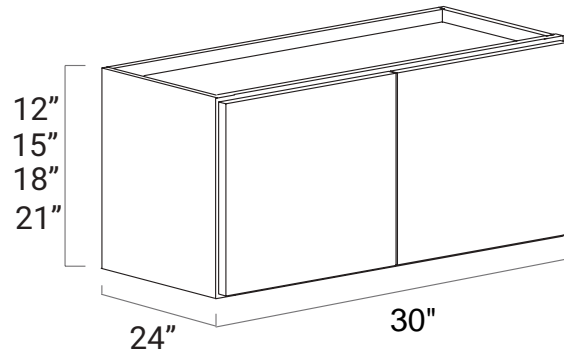
W301824

W302124 *

W302424

- Can be used as Refridgerator Cabinet

***** *Can be used as Farmer Sink Base*



36" Wall Bridge Cabinet Double Door 24" Deep

Order Code: **W361224**

W361524

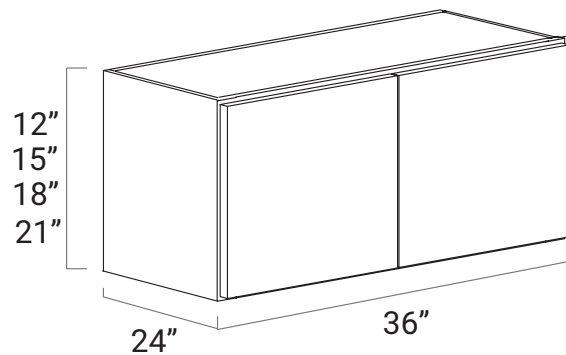
W361824

W362124 *

W362424

- Can be used as Refridgerator Cabinet

***** *Can be used as Farmer Sink Base*



Wall Single Door 30" High

Order Code: **W0930**
W1230
W1530
W1830
W2130

- Two adjustable shelves

Wall Single Door 36" High

Order Code: **W0936**
W1236
W1536
W1836
W2136

- Two adjustable shelves

Wall Single Door 42" High

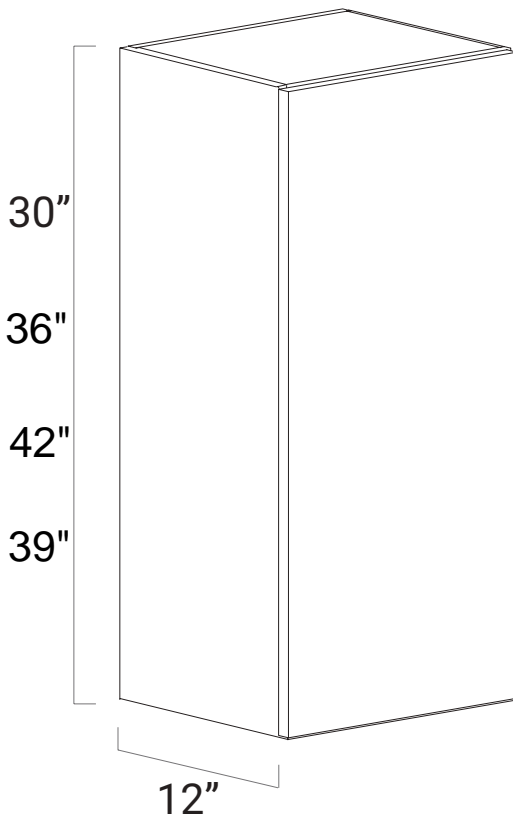
Order Code: **W0942**
W1242
W1542
W1842
W2142

- Two adjustable shelves

Wall Single Door 39" High

Order Code: **W0939**
W1239
W1539
W1839
W2139

- Two adjustable shelves



WALL CABINETS

Wall Double Door 30" High

Order Code: **W2430**
W2730
W3030
W3330
W3630

- Two adjustable shelves

Wall Double Door 36" High

Order Code: **W2436**
W2736
W3036
W3336
W3636

- Two adjustable shelves

Wall Double Door 42" High

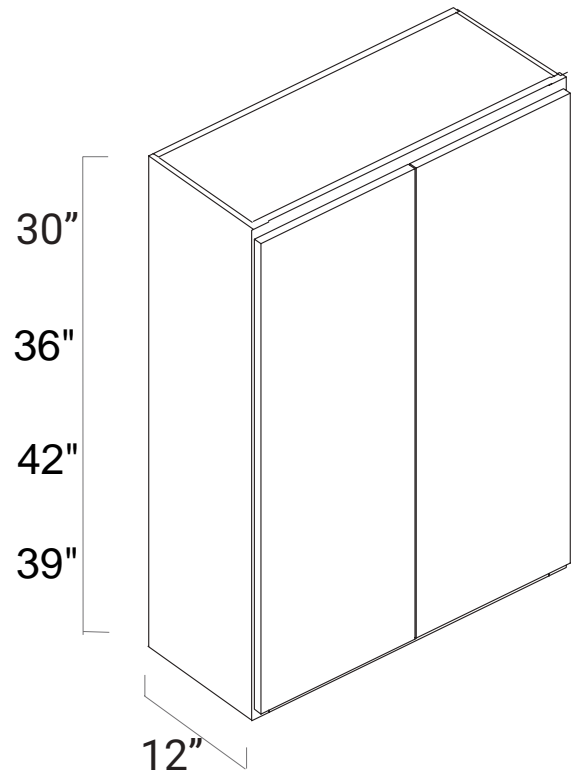
Order Code: **W2442**
W2742
W3042
W3342
W3642

- Two adjustable shelves

Wall Single Door 39" High

Order Code: **W2439**
W2739
W3039
W3339
W3639

- Two adjustable shelves



WALL CABINETS

Wall Blind Corner

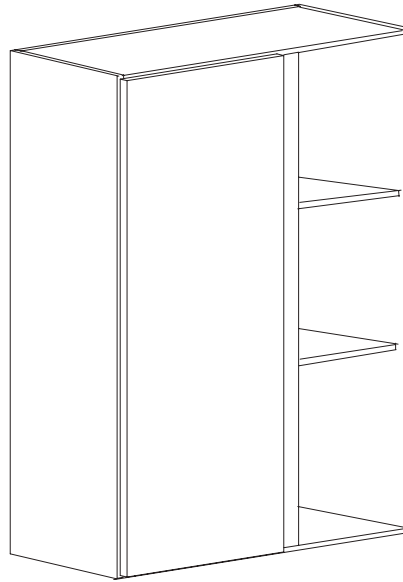
Order Code: **WBC3030**

WBC3036

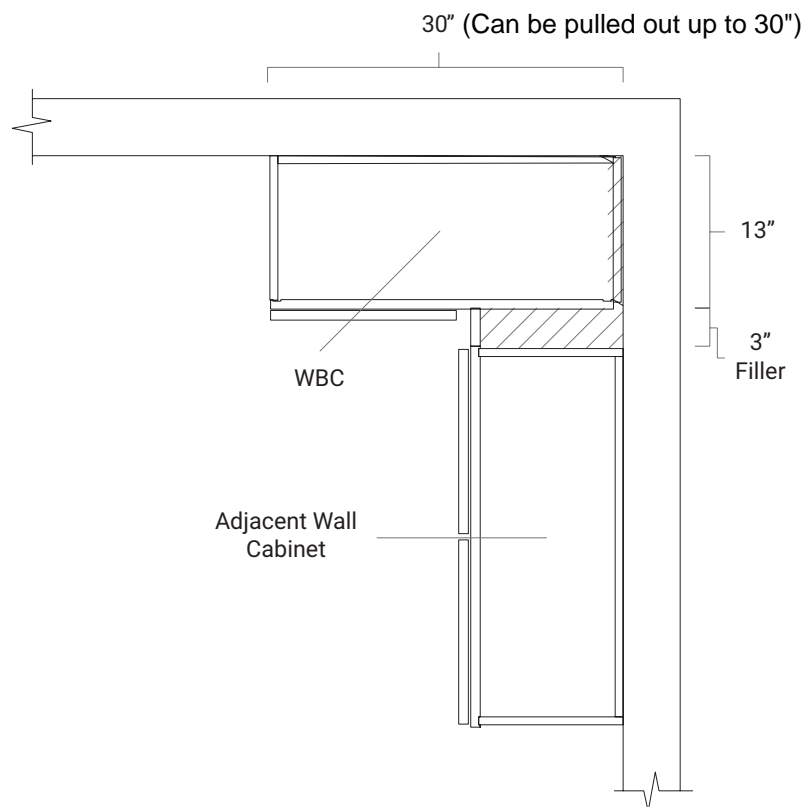
WBC3042

WBC3039

- 30" wide
- Two adjustable shelves
- Must be pulled 1" from the adjacent wall for a total of 28" wide
- Cabinet can be flipped for left/right application
- Hinges are located on center stile of the face frame and can be flipped as necessary



INSTALLATION DIAGRAM



WALL CABINETS

Wall Easy Reach

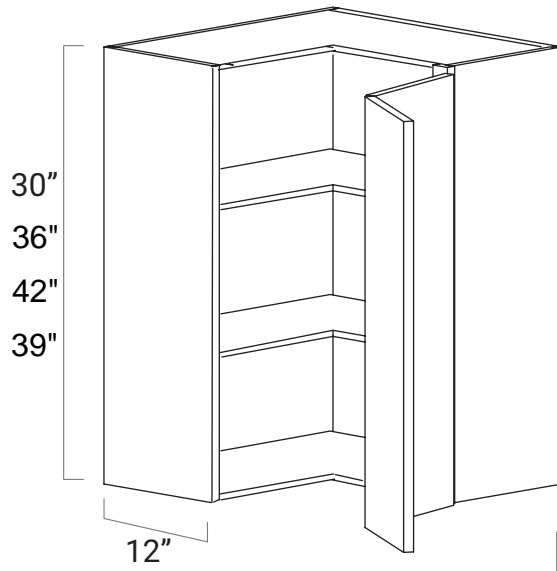
Order Code: **ERC2430**

ERC2436

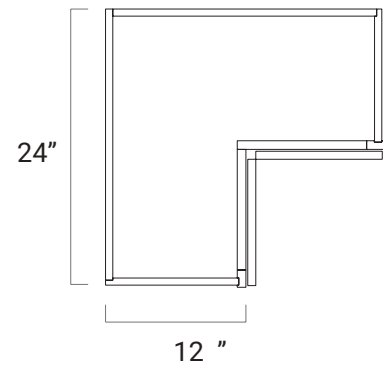
ERC2442

ERC2439

- Bi-folding door
- Two adjustable shelves
- Soft close not available



TOP VIEW



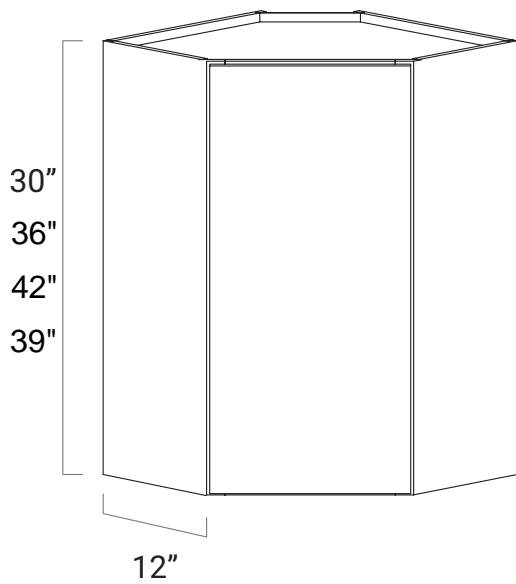
Wall Diagonal Corner

Order Code: **DCW2430**

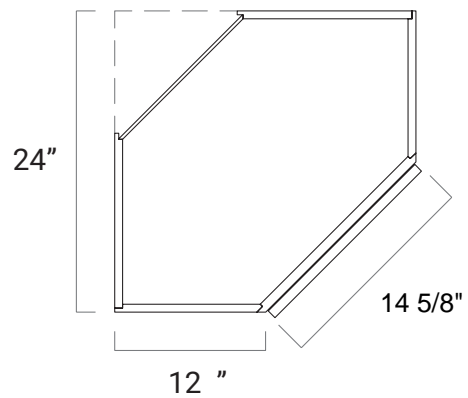
DCW2436

DCW2442

DCW2439

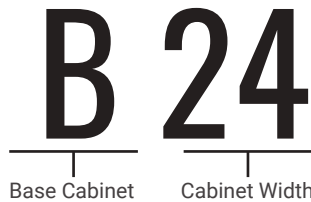


TOP VIEW

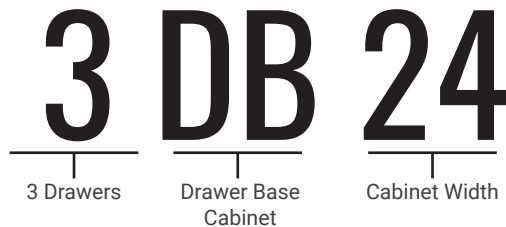


CABINET IDENTIFICATION

The letter(s) represent the name of the cabinet, and the following set of numbers represents the width of the cabinet.



Whenever a base cabinet has all drawers and no doors, also known as a drawer base, the cabinet code will start with a number. This represents the number of drawers the cabinet has.



ORDER CODING

All base cabinet order coding begins with the door order code

Example: **GG BT9**

SPECIAL NOTES

- Base cabinetry is 24" deep less otherwise noted
- Single and bi-fold door base cabinetry is hinged on the right side of the face frame but can be flipped as necessary

AVAILABILITY KEY

●	Indicates availability
○	Indicates no availability



Look for the light bulb for helpful design tips!

BASE CABINETS

Base Full Height Door

Order Code:

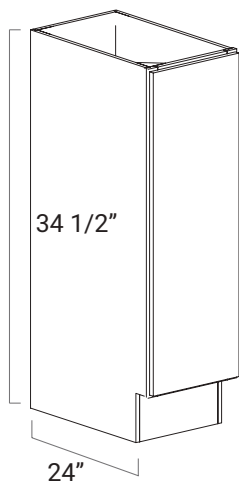
B09FD

B12FD

B15FD

B18FD

B21FD



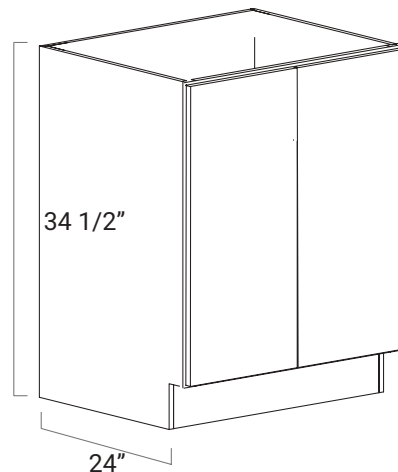
B24FD

B27FD

B30FD

B33FD

B36FD



Base Single Door

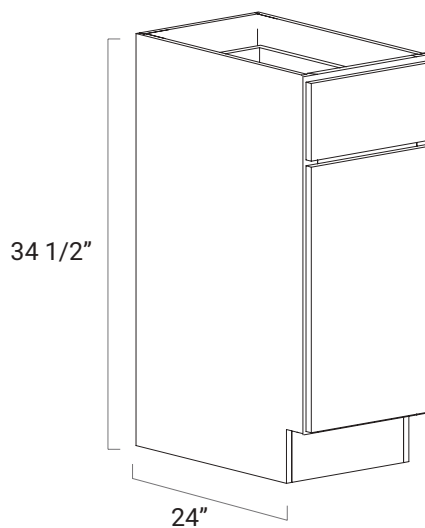
Order Code: **B12**

B15

B18

B21

- One adjustable shelf



Base Double Door

Order Code: **B24**

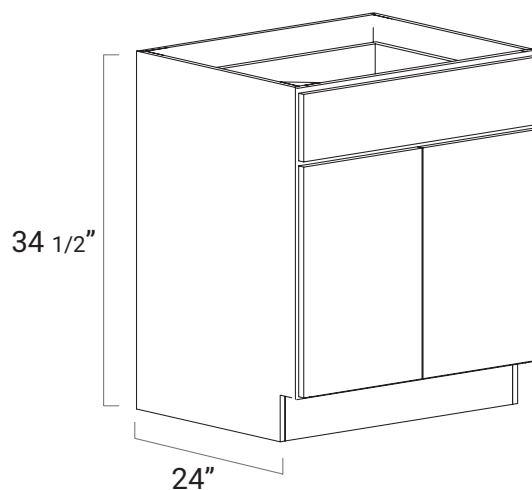
B27

B30

B33

B36

- One adjustable shelf



BASE CABINETS

Two Drawer Base

Order Code: **2DB24**

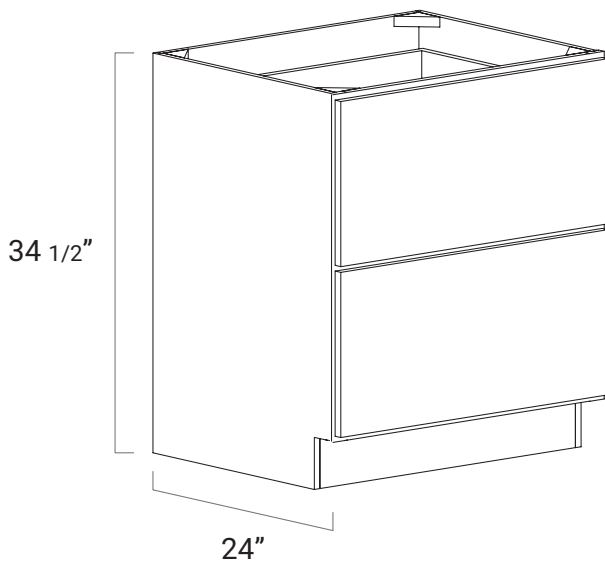
2DB27

2DB30

2DB36

- Two deep drawers
- Heavy load-bearing, full extension glides
- Rated for 100 lbs.

Great for storing pots and pans near a cooking station.



Three Drawer Base

Order Code: **3DB12**

3DB15

3DB18

3DB21

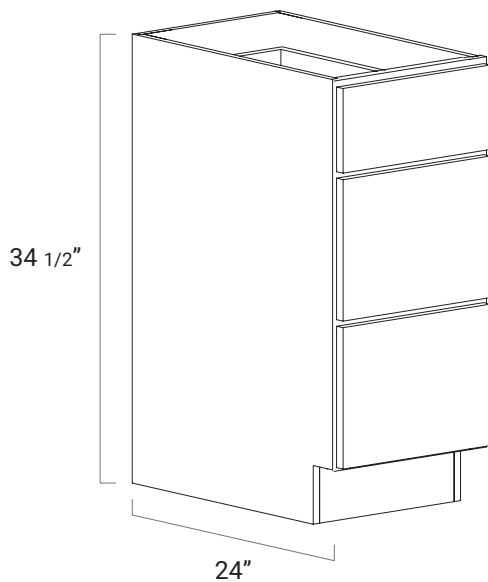
3DB24

3DB27

3DB30

3DB36

- Top drawer aligns with standard base cabinetry



Base Spice Rack

Order Code: **BSPR06**

BSPR09

BSPR12

- Pre-assembled
- 5-piece front
- Full extension glides without soft close
- Hardwood interior
- 20 5/8" shelf depth
- Requires decorative hardware to pull open
- Can hold a variety of spice container sizes



BASE CABINETS

Sink Base

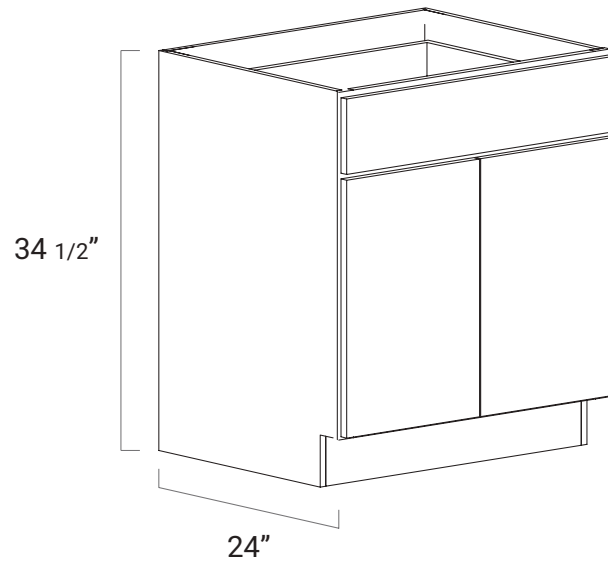
Order Code: **SB30**

SB33

SB36

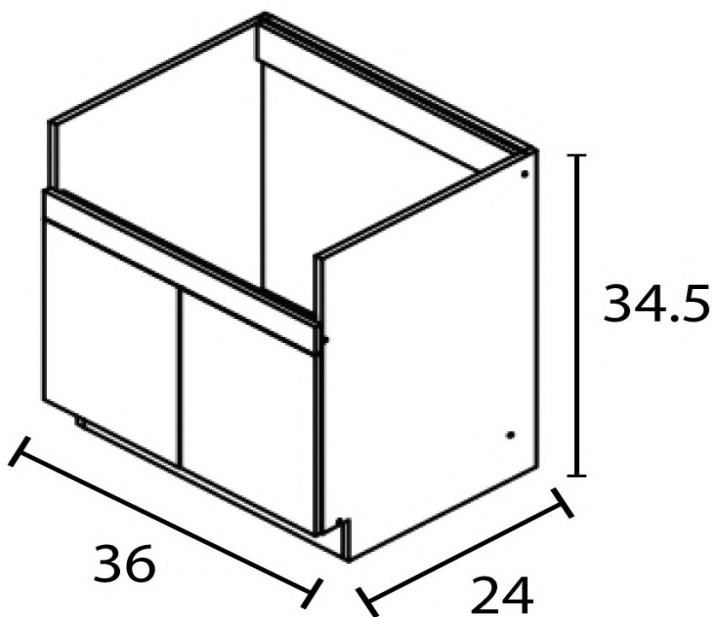
SB42

- False drawer front



Farmer Sink Base

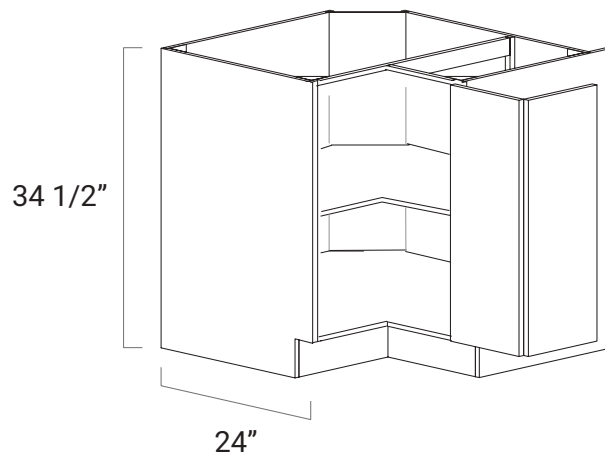
Order Code: **FSB36**



Lazy Susan *

Order Code: **LSB33**

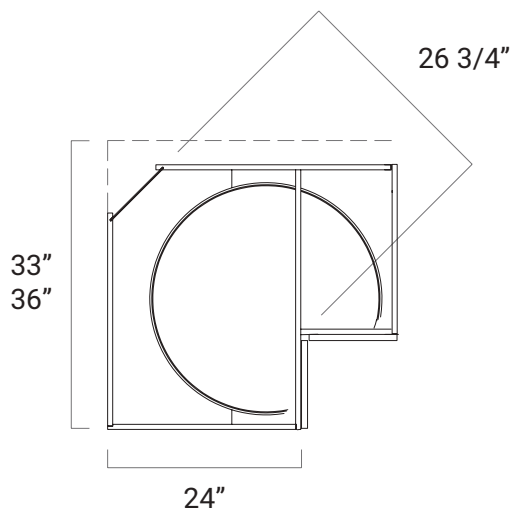
LSB36



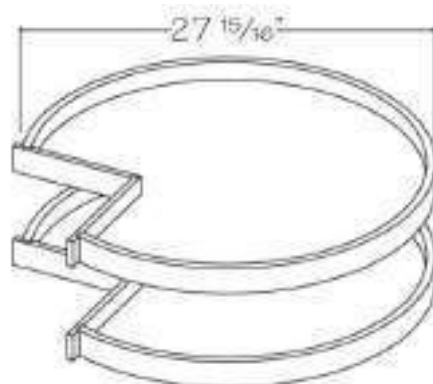
- Full shelf
- Full height, bi-folding door
- Soft close not available
- Magnetic door catch attached
- Designed to prevent warpage

* Wooden tray are not included, need to be purchased seperately.

TOP VIEW



When positioning against an appliance, such as a range or refrigerator, place the hinge on the opposite side of the appliance. This allows the door to open past 90 degrees for maximum cabinet access.



Order Code: **TB33-36**

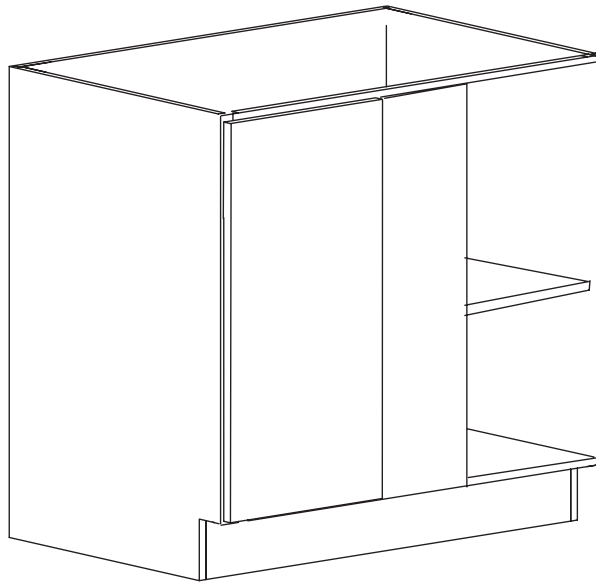
* Wooden tray is sold by piece, not set of 2

- Natural Wood Finish
- Rotating, pie-cut trays
- Trays are made of wood veneered plywood with a solid wood perimeter lip
- Undermount bearings allow for indepedent rotation and full access to trays

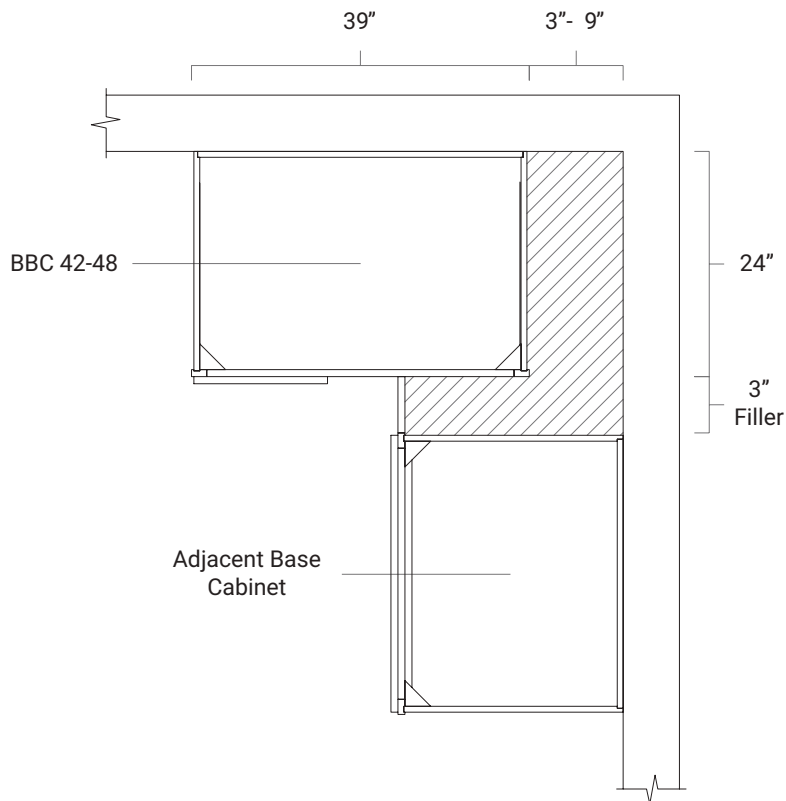
Base Blind Corner

Order Code: **BBC36-42**
BBC42-45

- One adjustable shelf
- Cabinet is 36"/ 42" wide and must be pulled a minimum of 3" or a maximum of 9" from adjacent wall
- Hinges are located on the center stile of the face frame and can be flipped as necessary



INSTALLATION DIAGRAM



CABINET IDENTIFICATION

The letter or letters represent the type of cabinet, the first set of numbers represent the width of the cabinet, and the second set of numbers represents the height of the cabinet.



ORDER CODING

All tall cabinet order coding begins with door order code.
Example: **GW U1884**

SPECIAL NOTE

- Tall cabinets are 24" deep
- * Our Frameless tall pantry is whole piece

AVAILABILITY KEY

●	Indicates availability
○	Indicates no availability

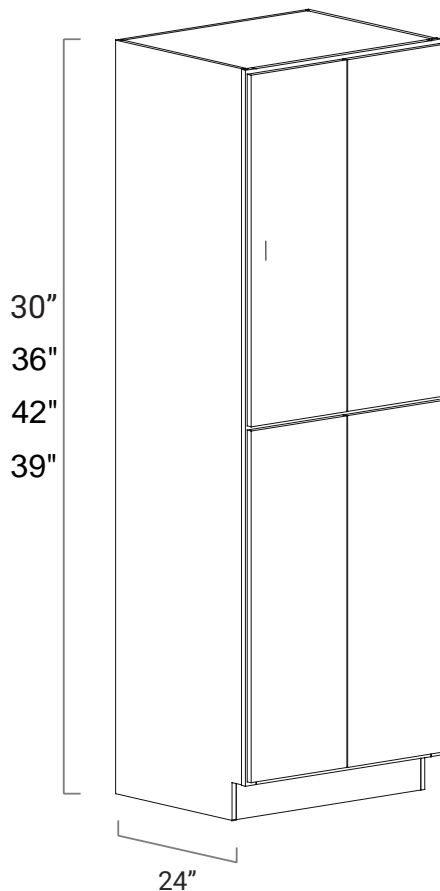
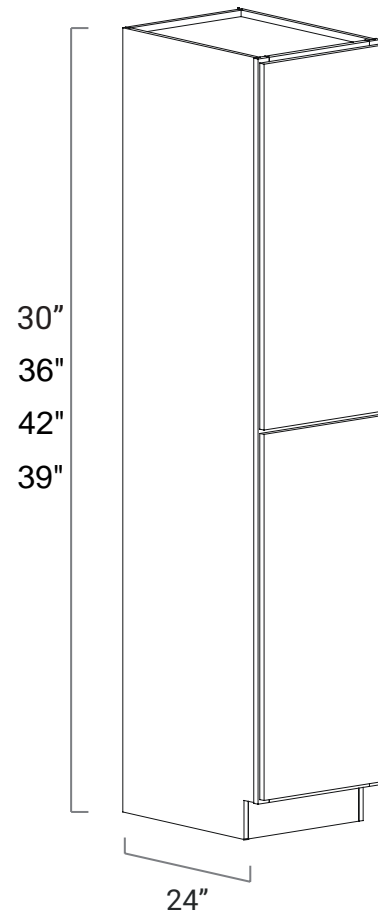
TALL CABINETS

Utility Pantry
Single Door

Order Code: **U1584** **U1884**
 U1590 **U1890**
 U1596 **U1896**
 U1893 *

- 15" wide pantries accept 15" rollout trays (**ROT15**)
- 18" wide pantries accept 18" rollout trays (**ROT18**)

***** Only available for White carcasses

Utility Pantry
Double Door

Order Code: **U2484** **U3084**
 U2490 **U3090**
 U2496 **U3096**
 U2493 * **U3093 ***

- 24" wide pantries accept 24" rollout trays (**ROT24**)
- 30" wide pantries accept 30" rollout trays (**ROT30**)

***** Only available for White carcasses

Oven Pantry

Order Code: **03084**

03090

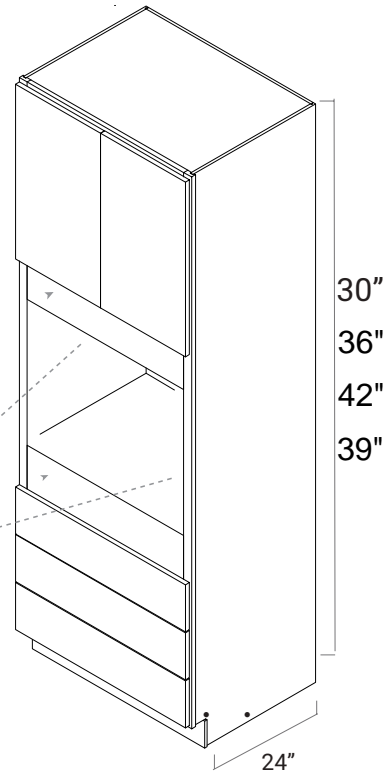
03096

03093 *

*Only available for White carcasses

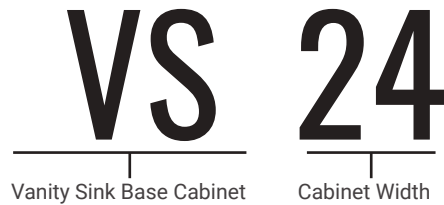


Filler will be needed for better looking

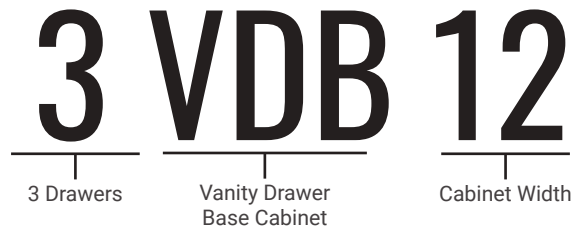


CABINET IDENTIFICATION

The letter or letters represent the name of the cabinet, and the following set of numbers represents the width of the cabinet.



Whenever a bath cabinet has all drawers and no doors, also known as a drawer base, the cabinet coding will start with a number. This represents the number of drawers the cabinet has.



ORDER CODING

All bath cabinet order coding begins with the door order code.

Example: **U999 VS30**

SPECIAL NOTES

* Bath cabinetry is 34 1/2" high and 21" deep

BATH CABINETS

Vanity Sink Base with 2doors

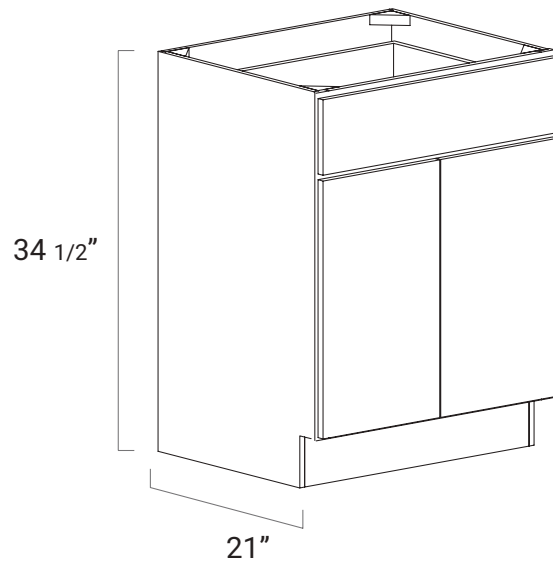
Order Code: **VS24**

VS27

VS30

VS36

- No shelf
- For single bowl installation only
- Two doors
- Top drawer is a false door front



Vanity Drawer Base Three Drawer

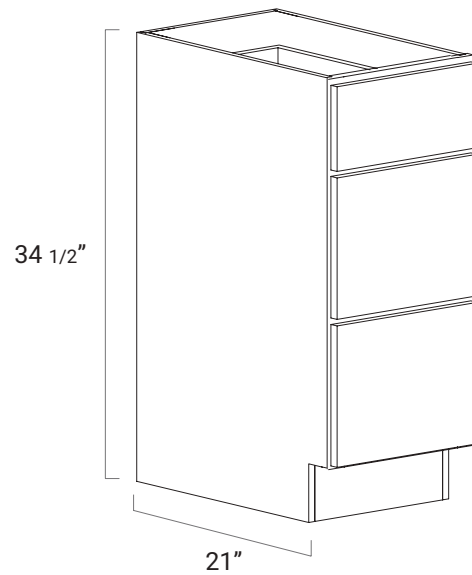
Order Code: **3VDB12**

3VDB15

3VDB18

3VDB21

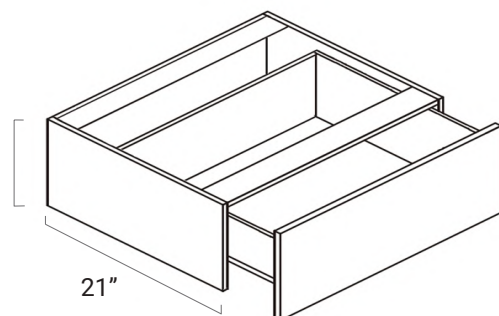
- Two deep drawers
- Top drawer aligns with standard base cabinetry



Vanity Drawer Base Knee Drawer

Order Code: **VKD24**

VKD30

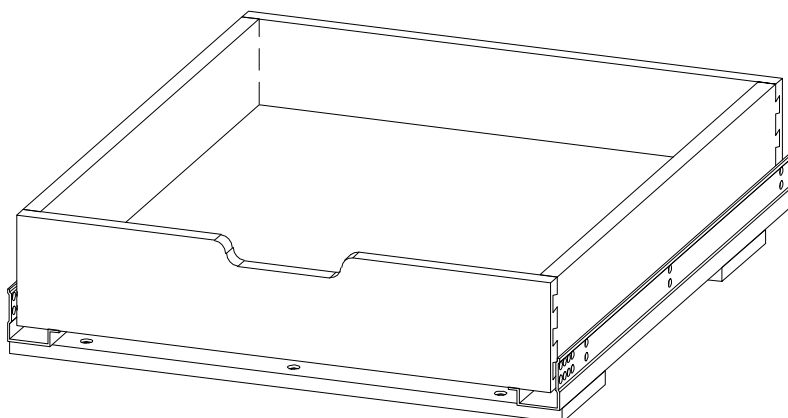


BATH CABINETS

Vanity Roll Out

Order Code: **SBROXX**

- Pre-assembled, Hand Polished
- 3/4" thick, solid wood
- Under Mount Rail

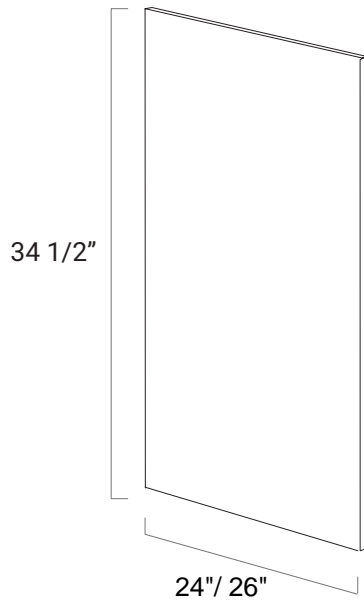


Model No.	Net Width (W1)	Width with Rail (W2)
SY-SBR024	20" (508mm)	20-5/8" (524mm)
SY-SBR027	23" (584mm)	23-5/8" (600mm)
SY-SBR030	26" (660mm)	26-5/8" (676mm)
SY-SBR033	29" (736mm)	29-5/8" (752mm)
SY-SBR036	32" (812mm)	32-5/8" (828mm)

ORDER CODING

All panel and skin order coding begins with door order code.

Example: **GG BEP25**

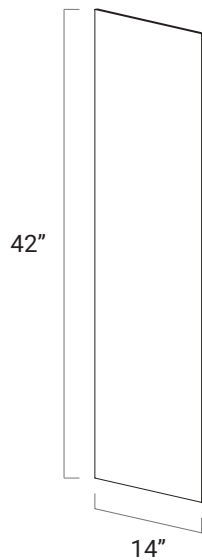


Base End Panel

Order Code: **BEP24**

BEP26

- 3/4" thick, veneered plywood panel, finished on both sides
- Can be used as **Dishwasher End Panel**
- Can be trimmed down to accommodate the wall



Wall End Panel

Order Code: **WEP1430**

WEP1436

WEP1442

WEP1439

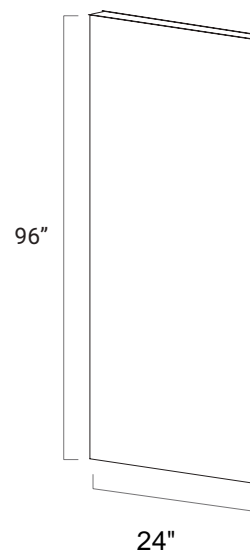
- 1/4" thick
- One finished side
- Intended for skinning sides of wall cabinetry
- Cut width and height to fit
- Used to make sure side of cabinet is flush with frame

(*) For stained finish, construction is either veneered plywood or MDF core. For painted finish, construction is MDF core.

Tall End Panel

Order Code: **TEP2496**

- 3/4" thick
- Both sides finished and edgebanded
- Intended for skinning exposed backs of peninsulas, islands, and other design applications

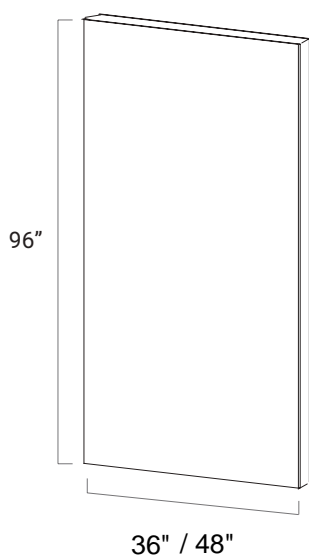


Refrigerator panels can be cut to fit in the field and used as a shelving solution for many design situations.

Island Panel

Order Code: **IP3696**
IP4896

- 3/4" thick, Both sides finished and edgebanded



MOLDING AND TRIM

Wall Filler

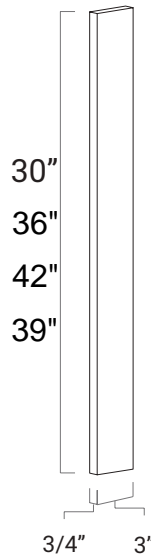
Order Code: **WF342**

WF336

WF342

WF339

- Solid wood
- Also used as wall and tall filler
- Finished on all sides

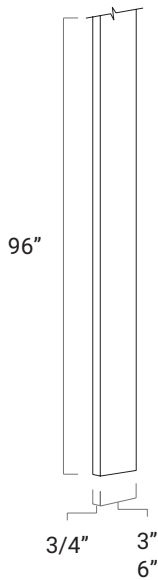
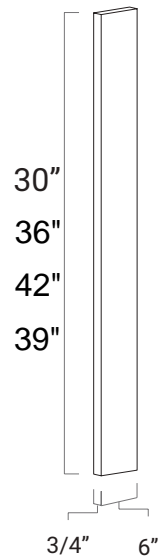


Order Code: **WF630**

WF636

WF642

WF639



Tall Filler

Order Code: **TF396**

TF696

- 3/4" thick
- Finished front and sides
- Cut width/height to fit as necessary

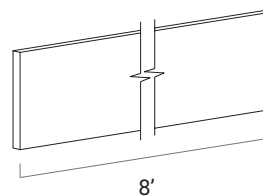
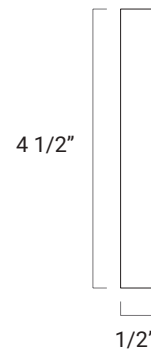
Can be used as starter molding to build crown to the ceiling.



Toe Kick

Order Code: **TK8**

- 1/2" thick
- Molding comes in a single 8' piece



Roll outs

ORDER CODING

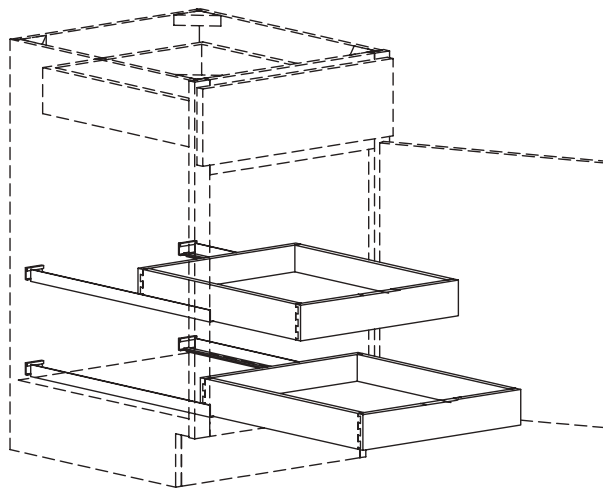
Example: **ROT 30**

SPECIAL NOTE

- Sold separately from cabinets

Roll Out Tray

Order Code: **ROT15**
ROT18
ROT21
ROT24
ROT27
ROT30
ROT33
ROT36

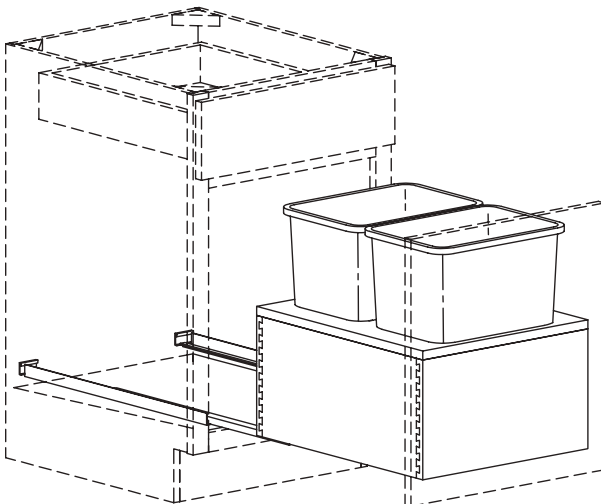
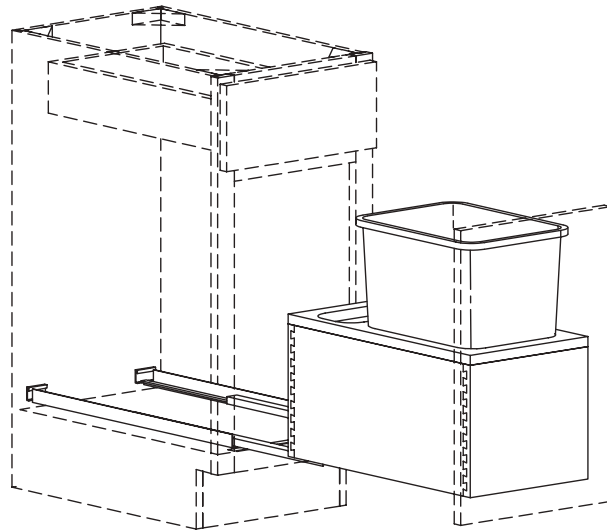


- Solid wood, dovetail construction
- 2 1/2" high sides
- Sidemount, full extension glides
- For 24" deep cabinets

Trash Pull Out Single Standard Base

Order Code: **BTP015**

- Solid wood, dovetail base support
- Undermount, full extension glides with soft close
- Comes with one 35 quart waste container
- Can be fitted in B15



Trash Pull Out Double Standard Base

Order Code: **BTP018**

- Solid wood, dovetail base support
- Undermount, full extension glides with soft close
- Comes with two 30 quart waste containers
- Can be fitted in B18

WARRANTY

I. Description of Warranty

This warranty applies only to the original purchaser and is not transferrable. From the time of purchase, Sandi Cabinet offers an Industrial Standard 2-Years Warranty on all of its cabinetry. In addition to cabinetry, all drawers, shelves, roll out trays, and mechanical components are covered under the warranty as well. In the event that any Sandi Cabinet product fails during the course of normal use, Sandi Cabinet, at its discretion, will either repair or replace the defective product.

Whether the work was performed by a contractor, Sandi Cabinet authorized dealer, or you; any expenses involved in the shipping, removal, installation, or consequent damage of the defective product is not covered under this warranty. This warranty does not apply to products installed in mobile homes or recreational vehicles.

II. Intended Use of Product

To be covered by this warranty, the product must be used only for its intended purpose(s). Cabinets that have been improperly stored, installed, misused, modified, mishandled, and/or subject to excessive moisture or extreme temperature and humidity levels are not covered under this warranty. In addition, any damage caused by smoking and/or environmental/chemical effects are also not covered under this warranty.

III. Anticipated Variance in Product

The Sandi Cabinet warranty only applies to product defects and does not apply to properties of natural wood that are inherent in natural wood species. Any time you have a natural wood product, occurrences such as pinholes, knots, and variances in color or grain are normal and are not covered under this warranty.

Because half of the weight of freshly cut wood is water, its natural properties are such that they can react to climate and/or humidity changes in your home. Sandi Cabinet doors and face frames are manufactured from solid wood that has been carefully kiln-dried, retaining just enough moisture for proper construction and finishing. These hardwoods continue to react to their surroundings long after the manufacturing process has been completed. When wood cabinet doors are in a warm, moist environment (high humidity), the wood expands. In a dry, colder environment (low humidity), the wood will contract. Even with humidity regulation, this phenomenon can be controlled, but it can never be completely eliminated.

Door panels may also be prone to this minor expansion and contraction as seasonal temperature and humidity changes occur in your home. The contraction (shrinkage) of the center door panel during periods of low humidity may result in the appearance of an unfinished line along the edge of the center panel. Sandi Cabinet does not consider the appearance of this line as a defect and will not replace doors due to this situation. Touch-up markers are made available to cover this edge line. The installation of a humidity control system is recommended to reduce the possibility of expansion and contraction in wood products.

All Sandi Cabinet doors are manufactured in moisture-controlled environments under precise specifications. Although slight door warpage can be common in one or two doors within a newly installed kitchen, any door that has not been through a complete heating and cooling cycle has the possibility of warping. Slight warpage can be eliminated through hinge adjustments. Any warping that continues to occur should be further examined by removing the door from the cabinet and placing it on a flat surface. Hinge spacers are available through your authorized Sandi Cabinet dealer in cases where the

warping cannot be eliminated through hinge adjustments. If warping cannot be eliminated through hinge adjustments or the use of hinge spacers, and if the doors have been through a complete heating and cooling cycle, and if all of the cabinets are true and plumb; then Sandi Cabinet will consider replacement.

As mentioned above, normal movement in wood products is typical. In addition to issues listed above, climate conditions can cause finish breaks, recesses, and joint/panel lines. An open joint line is not considered a defect and is not covered under this warranty.

IV. Product Repair or Replacement

Throughout the duration of the warranty period, Sandi Cabinet's sole obligation is to repair or replace any defective product at no charge. This warranty only applies to cabinets and affiliated products sold by Sandi Cabinet offered through an authorized Sandi Cabinet dealer. In the event that a claim is filed after the original product has been discontinued or cancelled, Sandi Cabinet will honor the warranty, at its discretion, subject to the availability of the product, by either:

- Repairing or replacing the defective product with a new product of the same style

OR

- Repairing or replacing the defective product with a product of equal value and complementary style in order to maintain the appearance of the original cabinetry purchase.

An exact match between the finish of the original purchased product and the replacement or repaired product is not guaranteed.

V. Rights of Consumer

There are no other warranties, disclosed or indicated, associated with this product. This document serves as a description of the consumer's definitive legal rights within the transaction and is the exclusive warranty of Sandi Cabinet. The exclusion or partial limitation of contingent or substantial damages is not permissible in some states. The consumer may also have further rights from state-to-state which are not cited in this warranty.

VI. Submission of a Claim

All claims must be submitted to the authorized Sandi Cabinet dealer where the cabinets were originally purchased. Claims are to be submitted in writing. Every claim must include a dated copy of the original sales receipt as proof of purchase. Unless and until the product is specifically requested by the Sandi Cabinet Claims Department, please do not send the defective item(s).



909•590•8844 | sandicabinet.com
14368 Central Ave, Chino, CA 91710